

PRELIMINARY 42XM3, 50XM4, 61XM3



Specifications

Model Number	PX-61XM3A PX-50XM4A PX-42XM3A	Diagonal Screen Size 61" Diagonal Screen Size 50" Diagonal Screen Size 42"
Screen Aspect Ratio	16 to 9	
Active Screen Area	61XM3 50XM4 42XM3	53.2 in x 29.9 in/1351 mm x 760 mm 43.5 in x 24.5 in, 1106 mm x 622 mm 36.3 in x 20.4 in, 921mm x 518 mm
Native Pixel Resolution	61XM3/50XM4 42XM3	1365 x 768 1024 x 768
Pixel Pitch	61XM3 50XM4 42XM3	0.99mm x 0.99mm 0.81mm x 0.81mm 0.897mm x 0.675mm
Capsulated Color Filter	Yes	
Accurimron	Yes	
Front Filter Type	AR - Anti reflection	
Color Processing	4096 steps, 68.7 billion colors	
Viewing Angle	160 degrees	
Matrix Capability	2x2, 3x3, 4x4, 5x5	
Horizontal Frequency Range	15.5 to 110.0 kHz auto, step scan	
Vertical Frequency Range	50 to 120 Hz auto, step scan	
PC Signal Compatibility	VGA 640x480 @ 60,72,75,85,100, 120 Hz SVGA 800x600 @ 56, 60, 72,75,85,100,120 Hz XGA 1024x768 @ 60,70,75, 85, 100 Hz SXGA 1280x1024 @ 60, 75, 85, 100 Hz UXGA 1600x1200 @ 60, 65, 70, 75, 85 Hz WideVGA 848x480, 852 x 480 @ 60 Hz WideXGA 1360 x 765 @60 Hz, 1280 x 768 @ 60Hz	
Macintosh Compatibility	640x480, 832x624, 1024x768, 1152x870	
Video Signal Compatibility	PAL, SECAM, 3.58/4.43 NTSC	
HD Video Signal Compatibility	480p 480i, 525p, 525i, 540p, 625p, 625i, 720p,1035i, 1080i	
Input Terminals	RGB 1 (analog) RGB 2 (analog) RGB 3 (digital) Video 1 Video 2 Video 3 HD Video 1 HD Video 2	15-pin mini D-sub (common use with RGB out, selectable) 5 BNC (RGB/HV) (common use with 5BNC Y/Pb/Pr input, selectable) 24-pin DVI-D HDCP (EIA/CEA-861-A) compatible Composite BNC x 1 (common use with Video out, selectable) Composite RCA x 1 S-Video 4-Pin DIN 1 set RCA Component (Y,Pb,Pr/Y,Cb,Cr) 1 set BNC Component (Y,Pb,Pr/Y,Cb,Cr) (common use with 5BNC Y/Pb/Pr input,selectable)
Audio	Audio 61XM3/50XM4 42XM3	3 sets RCA stereo + external speaker jacks Internal amplifier, 9W x 2 output power Internal amplifier, 8W x 2 output power
External Control	9-pin mini D-Sub, RS232	
User Controls	Direct Access Remote Control OSM Option 1 Option 2 Option 3 Option 4	Power on/off, input selection, volume up/down, OSM access Power on/off, input select, volume, mute, wide, display, off-timer, OSM control, cursor, pointer, zoom, auto, select Picture - Contrast, brightness, sharpness, color, tint, color temperature, white balance, picture mode, noise reduction, gamma, low tone and color tune Audio - bass, treble, balance and audio input Image Adjust - aspect ratio mode, vertical position, horizontal position, vertical height, horizontal width, fine picture, picture adjust, auto picture OSM on/off, BNC Input, D-sub Input, RGB select, HD select, Input Skip, All Reset Pwr. Management, Cinema Mode, Long Life Mode, Gray Level Timer, Pwr. On mode, Control Lock, IR Remote, Loop Out, ID Number Video Wall Advanced OSM, Closed Caption (50XM4 and 61XM3 only) Sub Picture Detect, Zoom Navigation, Picture Freeze, Seamless Switching
Plug & Play	DDC1, DDC2B (RGB3 is DDC2B only)	
Power Requirements	120V 50/60 Hz	
Power Consumption	61XM3 50XM4 42XM3	540W Typical, 6.7 Amp Maximum 420W Typical, 6.4 Amp Maximum 300W Typical, 4.6 Amp Maximum
Standby Power	0.9W	
Dimensions (WxHxD) without base	61XM3 50XM4 42XM3	1470 x 880 x 119 mm, 57.9 x 34.6 x 4.7 inches 1222 x 736 x 96mm, 48.1 x 29.0 x 3.8 inches 1018 x 610 x 89mm, 40.1 x 24.0 x 3.5 inches
Weight	61XM3 50XM4 42XM3	61.0 kg, 134.2 lbs. (without tabletop stand) 43.8 kg, 96.4 lbs. (without tabletop stand) 29.5 kg, 65.0 lbs. (without tabletop stand)
Environmental Considerations	Operating Temperature Operating Humidity Operating Altitude Storage Temperature Storage Humidity Storage Altitude	32 - 104 degrees F (0 - 40 degrees C) 20 - 80% 0 - 9180 feet (0 - 2800m) 14 - 122 degrees F (-10 - 50 degrees C) 10 - 90% 0 to 9840 feet (0 - 3000m)
Warranty	1 Year Parts & Labor Standard	
Regulatory	FCC Class A, UL1950, CSA950	
Included Accessories	AC Power Cord, User Manual, Remote Control, Batteries, Cable Clamps	
Optional Accessories	Stands: Speakers: Mounts: Other:	61" Tabletop Stand 50" and 42" Tabletop Stand 61" Attachable Speakers 50" Attachable Speakers 42" Attachable Speakers 61" Fixed Wall Mount 61" Tilt Wall Mount 61" Ceiling Mount 50" and 42" Fixed Wall Mount 50" and 42" Tilt Wall Mount 50" and 42" Ceiling Mount 50" and 42" Fixed Wall Mount for PC 50" and 42" Tilt Wall Mount for PC 50" and 42" Ceiling Mount for PC 61" Input Terminal Cover 50" and 42" Input Terminal Cover 42" Stand Plug PX-61ST1U PX-ST1U PX-61SP1U PX-50SP1U PX-42SP1U 61FWMK 61TWMK 61CMK FWMK TWMK CMK FWMKPC TWMKPC CMKPC PX-CV2U PX-CV1U PX-PL1U

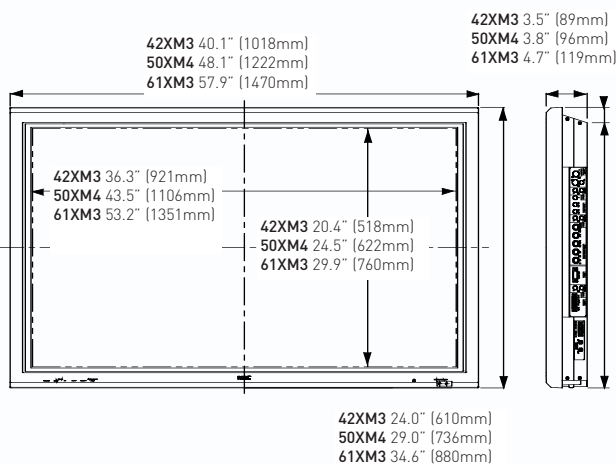
Outstanding image quality with 1365x768 native resolution (61XM3 and 50XM4), 1024x768 (42XM3)

Enhanced split-screen functionality allows simultaneous display of multiple inputs (50XM4 and 61XM3 only)

All digital video processing for artifact and noise free video

Broad source compatibility

Built-in stereo audio capability



For more information, call 800.632.4636 or visit www.necvisualsystems.com

NEC is a registered trademark of NEC Corporation. All other trademarks are the property of their respective owners. All specifications and programs are subject to change without notice. ©2004 NEC Solutions (America) Inc.

NEC Solutions (America), Inc.
Visual Systems Division
1250 Arlington Heights Rd., Suite 400
Itasca, IL 60143-1248