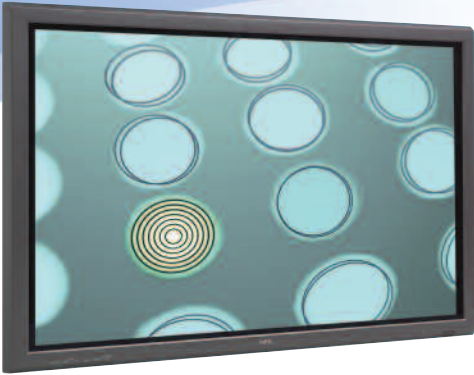


Demand more from digital

42XM4, 50XM5 and 61XM4 digital plasma displays.



HIGH BRIGHTNESS AND CONTRAST

ACCURATE COLOR REPRODUCTION

ENHANCED DIGITAL VIDEO
PROCESSING

ENHANCED SPLIT SCREEN

LONG LIFE > 60,000 HOURS

HIGH ALTITUDE READY

PROGRAMMABLE TIMER

NEC's professional plasma displays provide enhanced digital processing, expanded connectivity and exceptional reliability in any viewing environment while delivering crystal clear images every time.

CRYSTAL CLEAR IMAGES EVERY TIME.

- **Crystal Clear Panel/Drive** provides technology to improve brightness and contrast greater than 100% over previous models and also removes false contouring (42XM4 only).
- **Capsulated Color Filter (CCF) (50XM5 and 61XM4) and AccuCrimson Filter technology** produce true vivid real-to-life colors.
- **Enhanced Motion Adaptive 3D Scan Conversion** provides error free interpolation for moving video resulting in a smooth image with greater detail.
- **Enhanced Mass Area Superior Sampling** accurately reproduces diagonal and curved lines with less "jaggies" and also eliminates color bleeds.
- **Multi-Field Noise Reduction** reduces visible noise by looking at the video field before and after the active video field and averages the fields together rather than looking only at the active video field.
- **Color Tune Technology** allows you to adjust individual colors without affecting white balance.
- **Advanced AccuBlend™** converts non-native resolutions to the resolution of the display.
- **Enhanced AccuDevice** allows for artifact and noise free video.
- **Gamma 12** provides 68.7 billion color processing (4096 gradation steps per primary color) resulting in details in the dark areas never seen before.

ADAPTABLE FOR ANY PROFESSIONAL APPLICATION.

- **Complete Input Panel** including DVI w/HDCP (High-bandwidth Digital Content Protection) input.
- **IR Remote ID select** allows units placed in close proximity with one another to have different IR transmissions so only one unit is controlled at a time.
- **IR Loop-through** provides IR flexibility by allowing the plasma unit to receive IR commands from other device remotes and pass them through to the device.
- **Wider signal support** including 1080p and High resolution PC signals.
- **Enhanced Split Screen** allows two sources to be displayed on the screen at one time with multiple configurations and sizes available for both sources.
- **Complete RS-232 control** providing easy setup to all major control systems.
- **Independent memory locations** for each input that keep picture and image settings stored.
- **Sleep timer** for automatic shut off.
- **Quiet operation** (fan noise is only 22dB during normal operation).
- **Multiple aspect ratio control** allowing flexibility with today's many source choices.
- **High altitude flexibility** is a standard feature (up to 9180 ft).
- **Programmable timer** for virtual self-running operation.
- **Text insert** allowing text from another source (i.e. - Powerpoint) to be inserted over a portion of the active source.
- **Matrix solution capable** allowing up to 5x5 displays to be placed together to create one large image.

EXCEPTIONAL PRODUCT RELIABILITY AND SERVICE.

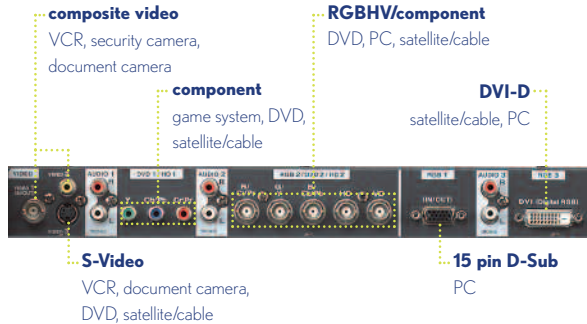
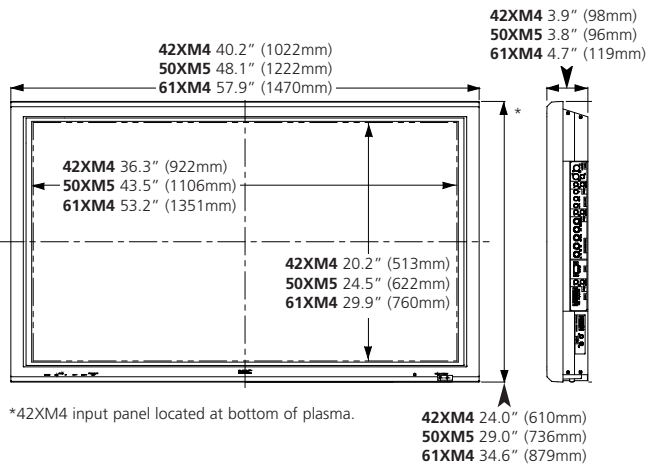
- **60,000 Half-Life** provides 20+ years at 8 hours a day viewing before reaching half the original brightness.
- **NEC ranks #1 in product reliability and service** according to Pacific Media Associates 2004 Annual Resellers Survey.
- **Low Power Consumption** and environmentally friendly providing a large display that is environmentally friendly consuming as little as 285W when in use and less than 1W when in "Stand-by" mode.
- **AccuShield Phosphor Protection system** provides a comprehensive toolset to safeguard the display from possible image retention.

Because It's your Image

NEC

Demand more from digital

42XM4, 50XM5 and 61XM4 digital plasma displays.



UNIQUE FEATURES

Advanced AccuBlend	Ensures detailed images when non-native resolution sources are connected to the projector.
Phosphor Protection	6 modes - A comprehensive set of built-in modes protects your screen from image retention.
Enhanced Mass Area Superior Sampling (Enhanced MASS)	Eliminates jagged lines, removes color separation and improves detail for crystal clear images.
Capsulated Color Filter™ (CCF) technology	CCF delivers realistic color reproduction creating the greatest color space when plotted on the C.I.E. Chromaticity chart. (50XM5, 61XM4)
AccuCrimson™ Filter technology	Further enhances the effects of the CCF producing better reds and greens.
Color Tune Technology	Adjust individual colors without affecting white balance.
Gamma 12	Provides the highest color processing in a plasma display at 68.7 billion colors (4096 steps) resulting in increased detail never seen before... no matter what the viewing environment!
Crystal Clear Panel/Drive	provides technology to improve brightness and contrast greater than 100% over previous models and also removes false contouring (42XM4 only).
Enhanced Split Screen	Yes
Closed captioning	Yes

*60,000 hour panel life is an approximate time for the display panel to reach half of its original brightness. The panel life is based on motion video as the input source and all display settings at factory default. This time may vary if the source varies and monitor settings are not at factory default. The time given does not imply any warranty beyond the products standard warranty.

For more information, call 1.800.NEC.INFO or visit www.necvisualsystems.com

NEC is a registered trademark of NEC Corporation. All other trademarks are the property of their respective owners. All specifications subject to change without notice.

NEC Solutions (America), Inc.
 Visual Systems Division
 1250 Arlington Heights Rd., Suite 400
 Itasca, IL 60143-1248

PLASMA MODULE

Screen Size (Diagonal)	PX-42XM4A	42"
	PX-50XM5A	50"
	PX-61XM4A	61"
Screen Aspect Ratio	16 to 9	
Active Screen Area	PX-42XM4A	36.3 x 20.2 in, 922 x 513 mm
	PX-50XM5A	43.5 x 24.5 in, 1106 x 622 mm
	PX-61XM4A	53.2 x 29.9 in, 1351 x 760 mm
Native Resolution	PX-42XM4A	XGA 1024 x 768
	PX-50XM5A	WXGA 1365 x 768
	PX-61XM4A	WXGA 1365 x 768
Pixel Pitch	PX-42XM4A	0.900mm x 0.671mm
	PX-50XM5A	0.81mm x 0.81mm
	PX-61XM4A	0.99mm x 0.99mm
Color Processing	68.7 billion colors, 4096 levels	
Viewing Angle	160°	
Plasma Module Half Life*	60,000 hours	
Filter Type	Anti-reflective	

SIGNAL COMPATIBILITY/CONNECTIVITY

Scan Rate	Horizontal: 15.5 to 110.0 kHz auto, step scan - Vertical: 51 to 120 Hz auto, step scan	
Supported Video Standards	PAL, SECAM, 3.58/4.43 NTSC, ATSC	
SD/HD Video Signal	480i, 480p, 525i, 525p, 540p, 625i, 625p, 720p, 1035i, 1080i, 1080p	
Compatibility		
PC Signal Compatibility	VGA, SVGA, XGA, SXGA, UXGA, WideVGA (848x480, 852x480), WideXGA (1360x768)	
Macintosh Compatibility	Yes	
Input/Output Terminals	RGB 1 (analog)	15-pin mini D-sub (common use with RGB out, selectable)
	RGB 2 (analog)	5 BNC (RGB/HV) (common use with 5BNC Y/Pb/Pr input, selectable)
	RGB 3 (digital)	24-pin DVI-D HDCP (EIA/CEA-861-A) compatible
	Video 1	Composite BNC x 1 (common use with Video out, selectable)
	Video 2	Composite RCA x 1
	Video 3	S-Video 4-Pin DIN
	HD Video 1	1 set RCA Component (Y,Pb,Pr/Cb,Cr)
	HD Video 2	1 set BNC Component (Y,Pb,Pr/Cb,Cr) (common use with 5BNC Y/Pb/Pr input,selectable)
	Audio	3 sets RCA stereo + external speaker jacks
Audio	Internal amplifier, 8W x 2 output power (42XM4), 9W X 2 output power (50XM5 & 61XM4)	
External Control	RS232, IR (IR loopthrough)	

ELECTRICAL

Power Requirements	120-240V 50/60 Hz	
Power Consumption	PX-42XM4A	285W Typical
	PX-50XM5A	435W Typical
	PX-61XM4A	540W Typical
Standby Power	0.9W	

MECHANICAL

Dimensions (WxHxD)	PX-42XM4A	40.2 x 24 x 3.9 in, 1022 x 610 x 98 mm
	PX-50XM5A	48.1 x 29.0 x 3.8 in, 1222 x 736 x 96 mm
	PX-61XM4A	57.9 x 34.6 x 4.7 in, 1470 x 879 x 119 mm
Net Weight	PX-42XM4A	61.1 lbs., 30.0 kg
	PX-50XM5A	97.9 lbs., 44.5 kg
	PX-61XM4A	134.2 lbs., 61.0 kg

Regulations	Regulatory FCC Class B, UL 60950-1:2003, CAN/CSA C22.2 No60950-1-03	
Fan Noise	22dB	

ENVIRONMENTAL

Operating Temperature	32° - 104° F (0° - 40° C)	
Operating Humidity	20 - 80%	
Operating Altitude	0 - 9180 feet (0 - 2800m)	
Storage Temperature	14 - 122° F (-10 - 50° C)	
Storage Humidity	10 - 90%	
Storage Altitude	0 to 9840 feet (0 - 3000m)	

WARRANTY

1 Year Parts & Labor

IN THE BOX

AC Power Cord, User Manual, Remote Control, Batteries, Cable Clamps

ACCESSORIES

Order Code	Description
4250WMK	Fixed/Tilt wall mount for 42" and 50" models
61WMK	Fixed/Tilt Wall mount for 61" model
PX-ST1U	Tabletop Stand for 42" and 50" models
PX-61ST1U	Tabletop Stand for 61" model
CMK	Ceiling Mount Kit for 42" and 50" models
FWMKPC	Fixed wall mount that accommodates 3rd party slim line PC (42" and 50" models only)
TWMKPC	Tilt wall mount that accommodates 3rd party slim line PC (42" and 50" models only)
CMKPC	Ceiling mount that accommodates 3rd party slim line PC (42" and 50" models only)
PX-42SP1U	Attachable Speakers for 42" model
PX-50SP1U	Attachable Speakers for 50" model
PX-61SP1U	Attachable Speakers for 61" model
PX-CV2U	Input Terminal Cover
PX-PL1U	Stand Plug

Because It's your Image

NEC